



actual size

SMD Quartz Crystal · JXS75

4 Pad Version · 7.0 x 5.0 mm

- ± 10 ppm type available
- EMI shielding possible by grounded lid
- reflow soldering temperature: 260 °C max.
- ceramic / metal package



General Data

type	JXS75	
frequency range	5.53 ~ 54.0 MHz	(fund. AT-cut)
	30.00 ~ 156.25 MHz	(3rd OT AT-cut)
	60.00 ~ 170.0 MHz	(fund. AT-cut) on request
frequency tolerance at 25 °C	± 10 ppm ~ ± 30 ppm	
load capacitance C_L	12 pF standard	(option 8 pF ~ 30 pF / series)
shunt capacitance C_0	< 7 pF	
storage temperature	-40 °C ~ +90 °C	
drive level max.	100 µW	
aging	< ± 3 ppm first year	

ESR (series resistance Rs)

frequency in MHz	vibration mode	ESR max. in Ω	ESR typ. in Ω
5.53 ~ 5.99	fund.- AT	ask for spec.	ask for spec.
6.0 ~ 6.99	fund.- AT	80	30
7.0 ~ 9.99	fund.- AT	60	25
10.0 ~ 15.99	fund.- AT	40	25
16.0 ~ 21.99	fund.- AT	30	20
22.0 ~ 24.99	fund.- AT	30	15
25.0 ~ 54.00	fund.- AT	30	10
30.0 ~ 156.25	3rd OT - AT	ask for spec.	ask for spec.

Frequency Stability vs. Temperature

		± 10 ppm	± 15 ppm	± 20 ppm	± 30 ppm	± 50 ppm	100 ppm
-20 °C ~ +70 °C	STD.	○	○	○	●	○	○
-40 °C ~ +85 °C	T1		○	○	○	○	○

● standard
○ available

Marking

frequency with load capacitance code
company code / date code / internal code

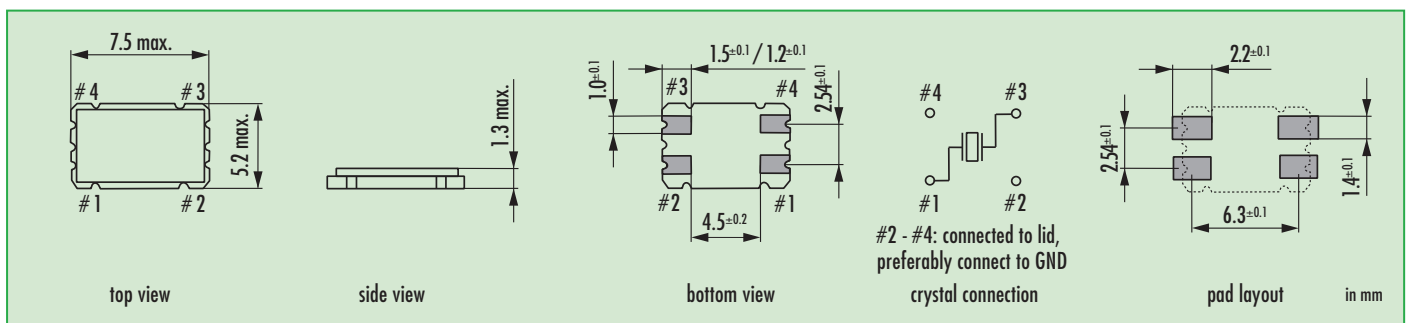
date code: year/month

example: 5A = 2015 January

Jan.	Febr.	Mar.	Apr.	May	June
A	B	C	D	E	F

July	Aug.	Sept.	Oct.	Nov.	Dec.
G	H	J	K	L	M

Dimensions



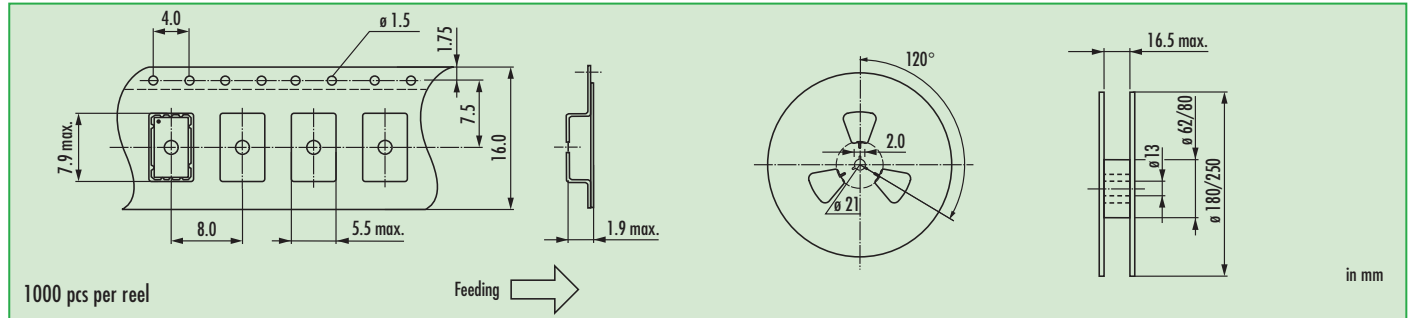
Order Information

Q	frequency	type	load capacitance	stability at 25 °C	stability vs. temp. range	option
Quartz	5.53 ~ 170.0 MHz	JXS75	12 pF standard 8 pF ~ 30 pF S for series	10 = ± 10 ppm 30 = ± 30 ppm	see table	blank = -20 °C ~ +70 °C T1 = -40 °C ~ +85 °C FU = for fundamental frequencies ≥ 20 MHz 3OT = 3rd overtone

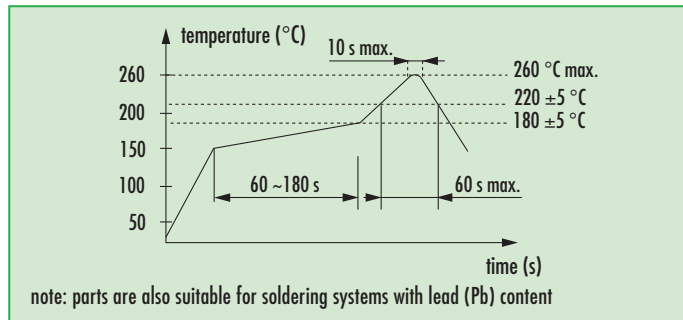
Example: Q 28.0-JXS75-12-30/30-T1-FU-LF (Suffix LF = RoHS compliant / Pb free)

SMD Quartz Crystal · JXS75

Taping Specification



Reflow Soldering Profile



Load Capacitance Codes

8 pF: k	14 pF: x	22 pF: g	series: s
9 pF: n	15 pF: j	24 pF: d	T: 3rd OT
10 pF: h	16 pF: b	25 pF: r	
11 pF: l	17 pF: t	27 pF: w	
12 pF: a	18 pF: f	30 pF: .	
13 pF: v	20 pF: c		

example 20.0 MHz / 12 pF: 20a00